

Technical data sheet

Product features



Cooking range s induction electric

| | | |
|--------------|-----------------|----------|
| Model | SAP Code | 00014758 |
|--------------|-----------------|----------|



- Device type: Electric unit
- Power consumption of the zone 1 [kW]: 5
- Power consumption of the zone 2 [kW]: 5
- Protection of controls: IP24
- Material: AISI 304 top plate and cladding

| | | | |
|------------------------|----------|---------------------------------------------|--------------------|
| SAP Code | 00014758 | Power electric [kW] | 10.000 |
| Net Width [mm] | 400 | Loading | 400 V / 3N - 50 Hz |
| Net Depth [mm] | 730 | Number of zones | 2 |
| Net Height [mm] | 300 | Power consumption of the zone 1 [kW] | 5 |
| Net Weight [kg] | 42.00 | Power consumption of the zone 2 [kW] | 5 |

Technical data sheet

Technical drawing

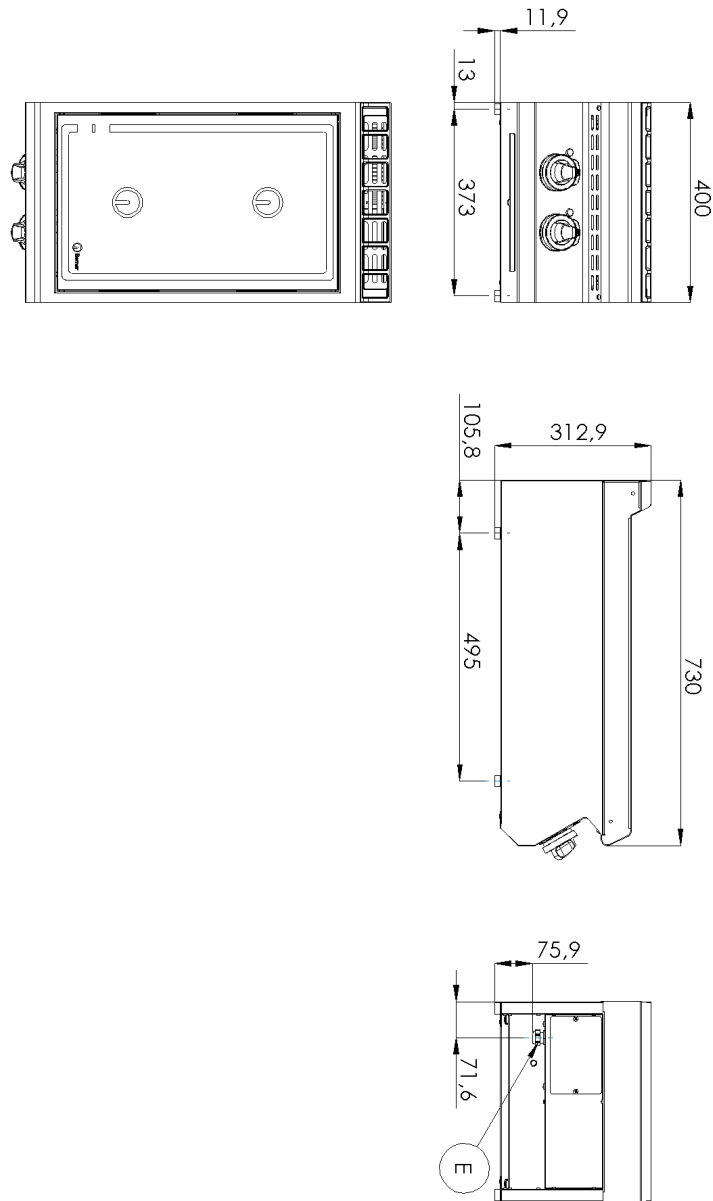


Cooking range s induction electric

Model

SAP Code

00014758



Technical data sheet

Technical parameters



Cooking range s induction electric

Model

SAP Code

00014758

1. SAP Code:

00014758

2. Net Width [mm]:

400

3. Net Depth [mm]:

730

4. Net Height [mm]:

300

5. Net Weight [kg]:

42.00

6. Gross Width [mm]:

460

7. Gross depth [mm]:

820

8. Gross Height [mm]:

480

9. Gross Weight [kg]:

48.00

10. Device type:

Electric unit

11. Construction type of device:

Table top

12. Power electric [kW]:

10.000

13. Loading:

400 V / 3N - 50 Hz

14. Protection of controls:

IP24

15. Exterior color of the device:

Stainless steel

16. Material:

AISI 304 top plate and cladding

17. Indicators:

operation

18. Worktop type:

Molded - comfortable cleaning maintenance

19. Worktop material:

AISI 304

20. Worktop Thickness [mm]:

1.50

21. Number of zones:

2

22. Power consumption of the zone 1 [kW]:

5

23. Power consumption of the zone 2 [kW]:

5

24. Service accessibility:

Trough the frontal panel

25. Number of burners/hot plates:

2

26. Type of electric cooking zones:

Induction